



OWNER'S MANUAL

**ARP-2412
PORTABLE AIR CONDITIONER**

ARP-2412



***PORTABLE AIR CONDITIONER
ACONDICIONADOR DE AIRE PORTÁTIL
CONDITIONNEUR D'AIR PORTABLE***

*Página en Español 17
Page en Français 33*

Read and retain these instructions for future reference

**For any Customer Support needs, please choose
the Support tab on www.royalsovereign.com**

Royal Centurian Inc.

PORTABLE AIR CONDITIONER

Model ARP-2412

INTRODUCTION

Thank you for choosing Royal Sovereign to provide you and your family with all of the “Home Comfort” requirements for your home, apartment, or office. This Portable Air Conditioner can be set-up in just minutes and can be easily moved from room to room. It is a multi-functional room air comfort system that offers you Air Conditioning, Dehumidification and Air Circulation modes. This manual will provide you with valuable information necessary for the proper care and maintenance for your new appliance. Please take a few moments and read the instructions thoroughly. If properly maintained, your appliance will give you many years of troublefree operation.

CONTENTS

	Page
Precautions for use	4
Notes on operation and identification of parts.....	5
Installation instructions.....	6~7
Operation	8~10
Remote control	11
Maintenance	12
Specifications.....	13
Warranty.....	14
Contact information	15
Page en Français	17

PRECAUTIONS FOR USE

IMPORTANT SAFETY INSTRUCTIONS

This equipment must not be used in an area where combustible material are stored. Never operate or store gasoline or other flammable vapors and liquids in the vicinity of this or any other appliance.

PRECAUTIONS

To reduce the risk of fire, electrical shock, or injury to persons when using your air conditioner, follow basic precaution, including the following:

- Be sure the electrical power source is adequate for the model. This information can be found on the rating label which is located on the back of the unit.
- Be sure the air conditioner has been securely and correctly installed according to the installation instructions provided with this manual. Save this manual for possible future use in removing, storing or reinstalling this unit.
- When handling the air conditioner, be careful to avoid cuts from sharp metal fins on front and rear coils.
- Avoid air inlet and outlet grills from being covered or closed off.
- Never insert your fingers or any foreign objects into the air outlet. Take special care to warn children of these dangers.
- Use the unit in rooms of a suitable size and always remember that areas of high heat gain such as conservatories and sun lounges require up to four times the cooling power of conventional rooms.
- Close the fireplace damper floor and wall registers to avoid cool air escape up the chimney and into the duct work.
- Clean the air filter as recommended in the section "Care and Cleaning".

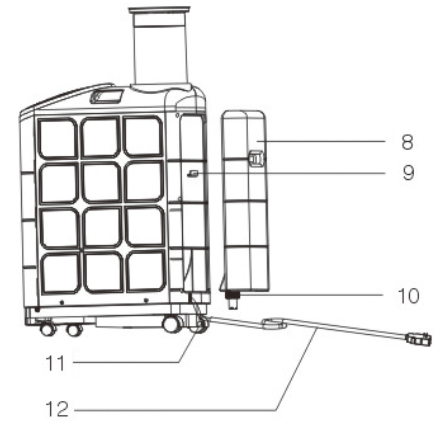
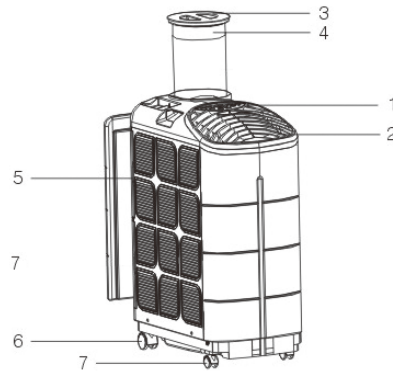
ELECTRICAL INFORMATION

The complete electrical rating of your new room air conditioner is stated on the nameplate. Refer to the rating when checking the electrical requirements.

- Be sure the air conditioner is properly grounded. To minimize shock and fire hazard, proper grounding is important.
- LCDI (Leakage Current Detection Interrupters) are built into the power cord cap of our room air conditioners.
- If the power cord is damaged and the power conductors touch the shield, the LCDI will interrupt power if even a small amount of current leaks to the shield. In such case, it must be replaced by the manufacturer, service agent or a similarly qualified electrician to avoid hazard.
- Your air conditioner must be plugged into proper power outlet. If the power outlet you intend to use is not adequately grounded or protected by a time delay fuse or circuit breaker, please contact qualified electrician to install the proper power outlet.
- Do not use an extension cord or an adapter plug.
- Be sure the maximum amps of all devices on that fuse or circuit breaker can not exceed the amps of the fuse or circuit breaker.

IDENTIFICATION OF PARTS

1. Display Panel
2. Air Outlet
3. Exhaust Hose Cover
4. Exhaust Hose
5. Air Filters
6. Rear Casters
7. Front Casters
8. Water Tank
9. Water Tank Hanger
10. Nozzle
11. Drain
12. Power Cord

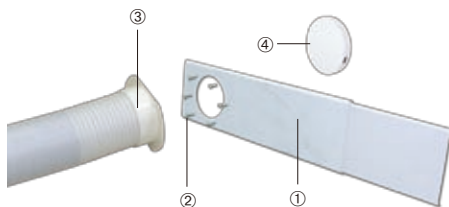


INSTALLATION

Unpack your new Portable Air Conditioner and let the machine stand upright for 2 hours before starting.
 Unpack all parts listed below. If any parts are missing do not return this product to the place of purchase.
 Please visit our website www.royalsovereign.com and click on the "Support" tab.

ACCESSORIES INCLUDE

- 1. Window slider kit.....1 Set
- 2. Screws.....6 Pieces
- 3. Exhaust hose connector (window).....1 Piece
- 4. Cover.....1 Piece



A. Remove cover and pull out exhaust hose: Fig 1

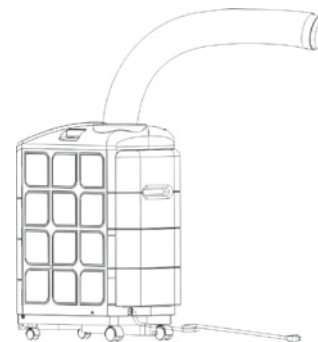


Fig 1.

B. Attach Hose Fixture : Fig 2.

- 1. Line up the screw holes on the hose fixture to the front of the window slider kit.
- 2. Using the 4 screws provided, attach the hose fixture to the window panel of the slider kit.

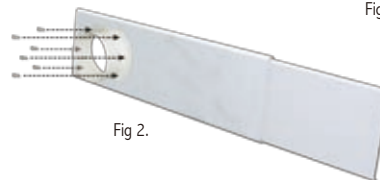


Fig 2.

C. Install the Window Slider Kit : Fig 3.

1. Open the window and place the Window Slider Kit on the inside edge of the window.
2. Adjust the Window Slider by adjusting it to the width of the window.
3. Close the window to secure.
4. Tighten the two screws to lock the window slider in place.

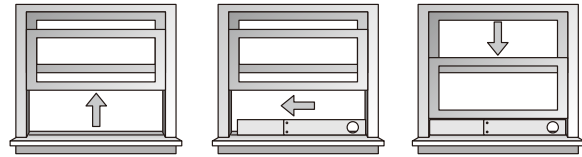


Fig 3.

FUNCTION OF THE WATER TANK

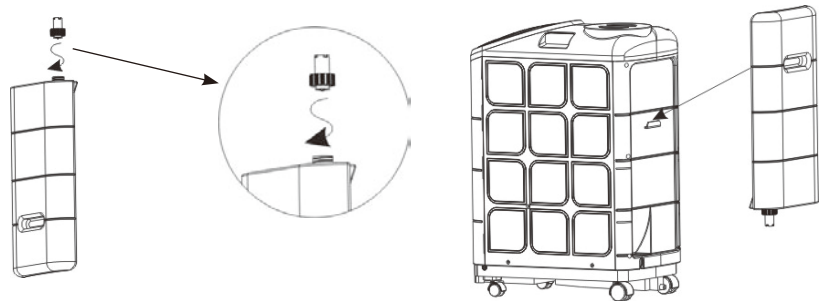
This Portable Air Conditioner can run with or without water tank.

The water tank is an auxiliary function to the unit and can run with or without it. Its purpose is to use fresh water to cool the condenser so the machine will have maximum performance. In normal conditions, it will recycle the humidity that is collected to cool the condenser and evaporate the water out the exhaust. In areas where humidity levels are low, this tank will assist the unit in cooling effectively.

When used, you can achieve maximum BTU performance and the air conditioner will run more efficiently.

NOTE: This feature will not add humidity back into the room.

- Step 1: Lift up and pull to remove the tank
- Step 2: Remove the nozzle by turning counter clockwise
- Step 3: Fill the tank with water to approximately the half way level and replace the nozzle snug.
- Step 4: Place the tank back into place by lining up the tank with the tab on the back of the air conditioner



OPERATING INSTRUCTIONS

Read the Important safety instructions before operating this appliance.

(To prevent electrical hazards, do not use an extension cord or an adapter plug.)

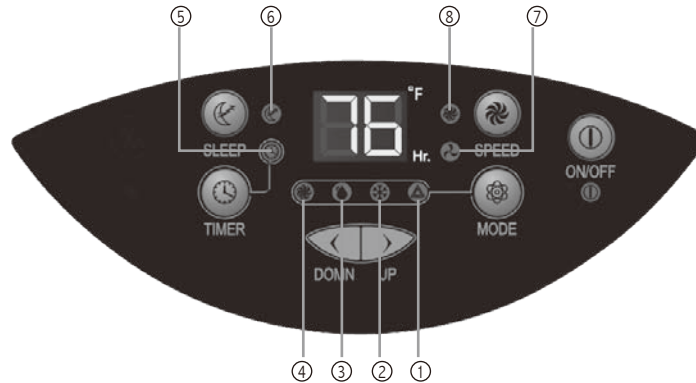
1. Plug in the air conditioner.
2. Install the exhaust duct as illustrated in page 7.
3. Plug the unit into a 115~120V~60Hz grounded electrical outlet.
4. Press the "ON/OFF" button to turn on the unit.

NOTE: If the air conditioner is turned off, wait 3 minutes before restarting. This allows pressure inside the compressor to equalize.

Failure to follow these instructions may cause inefficient operation.

CONTROL PANEL

1. Auto
2. Air Conditioning
3. Dehumidifier
4. Fan
5. Timer Indicator
6. Sleep
7. Low Fan
8. High Fan



ON /OFF


The power control button turns the unit on and off. When you press the button, the unit begins to operate.

MODE


Select the functions of the unit for: AUTO control, COOL, DRY, and FAN.

The appliance will start on AUTO function the first time it is turned on and remains in this mode until other type of programming is chosen.

AUTO (Automatic functioning key)

Press MODE key to select AUTO, your portable air conditioner will select an ideal temperature for the room while running at an optimal level.  is shown on the display and the indicator light will come on. The fan speed will be determined by the machine.

COOL

Press the Mode Control button to select Cool mode. The  light will show on the display.

The unit displays "present room temperature." The temperature range settings are between 64~88 °F

In Cool mode, use the < or > button to adjust and set the desired temperature for the room. After 3 seconds the display will return back to the present room temperature.

NOTE: The air exchange hoses must be vented through the window kit when it is in this mode. The compressor will start after 3 minutes (during which only the fan function is active). If the room temperature is lower than selected, the appliance activates the fan function until the temperature rises above the the temperature that was set.


DRY

Press the Mode Control button to select Dry (dehumidify) mode. The  light will show on the display.

When the Dehumidify mode is on, the temperature buttons do not function. The fan speed can be adjusted only if the temperature in the room is higher then 77 ° F. If it is below this temperature, the fan speed is automatically fixed to "low" and cannot be adjusted. The compressor will be on for 10 minutes and then turn off for 4 minutes in this mode. This prevents the coils from freezing and protects the air conditioner. When the humidity in the room is 50% or lower, the compressor will not run and the unit will not dehumidify.

NOTE : The exhaust hose must be connected to remove the humidity.

FAN

Press the Mode Control button to select Fan mode. The  light will show on the display. The air is circulated throughout the room with no cooling.

NOTE: The exhaust hose is not needed in fan mode as it is circulating the air that is in the room.

SPEED

Press "SPEED" key to adjust fan speed (High/ Low).

TIMER

There are 2 different timer programs. You can set the number of hours before the air conditioner automatically turns OFF so that you can set the number of hours that will elapse before the unit turns ON.

When the air conditioner is turned off, you can choose to turn it on in one hour intervals.

1. Press the Timer button on the Control Panel (the timer indicator light will be lit).
2. Continue to press the Timer button until you reach the number of hours you want to elapse before the unit turns on. Example: If you want the air conditioner to turn on in eight hours, press the button until you see 8 on the display.
3. The unit will turn on when the set time elapses.

When the air conditioner is turned on, you can choose to turn it off in one hour intervals.

1. Press the Timer button on the Control Panel (the timer indicator light will be lit).
2. Continue to press the Timer button until you reach the number of hours you want to elapse before the unit turns off. Example: If you want the air conditioner to turn off in eight hours, press the button until you see 8 on the display.
3. The unit will turn off when the set time elapses.

SLEEP

Sleep Mode is used to keep the room comfortable while saving energy. When the Sleep Mode button is pressed, the set temperature will increase by 2 °F in the first hour and increase another 2° the second hour. It will then remain at that temperature for the remainder of the night.

TANK FULL

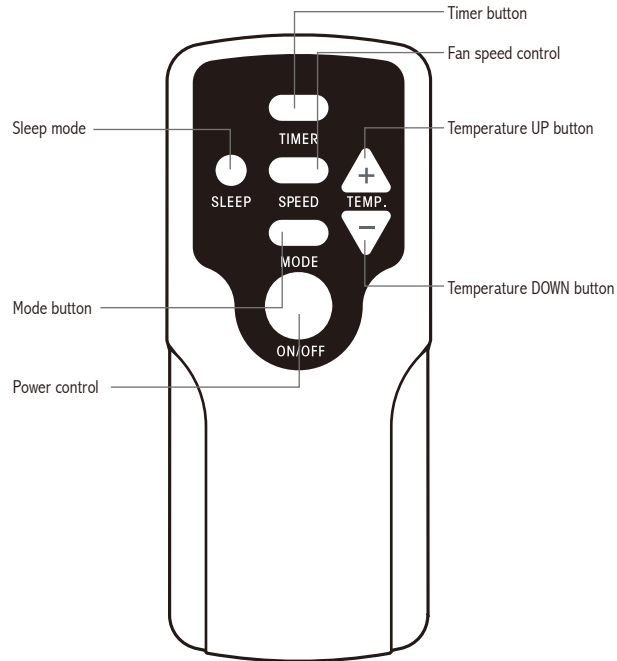
The appliance has built-in evaporating system. The water is turned into humid air and evaporated through the exhaust hose. If the humidity level is high, it is possible to have to empty the internal water tank manually. If this happens, an alarm will beep for 15 times and the unit will stop running. The appliance can be restarted after draining the condensate water through drain port located at the bottom of the back of the PAC.

AUTOMATIC RESTART

In the event of a power failure: The settings will return to the previously set operating modes once the power is restored.

REMOTE CONTROL FUNCTION

All functions can be accessed from the remote control.

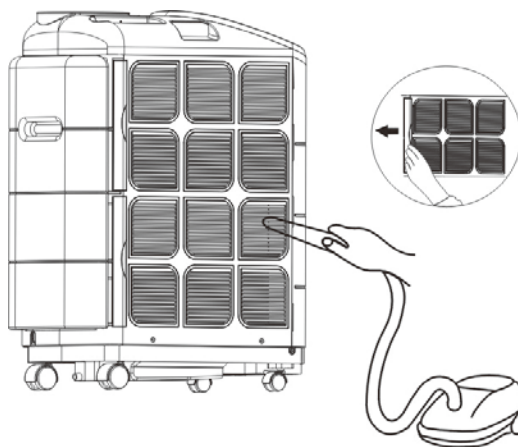


CARE AND CLEANING

Every two weeks: Clean the filter

- Turn the unit OFF and remove the plug from the outlet.
- Grasp the formed handle of filter and pull it up, removing it from the evaporator.
- Use a brush attachment with a vacuum cleaner.

NOTE : Failure to keep air filter clean will result in poor air circulation.
DO NOT operate without filter. This can render the unit inoperative.



Storage:

1. Remove water from drain port
2. Cover it with plastic or return it to the original carton.

SPECIFICATIONS

- Figures noted in the contents are for reference only; variation may result due to the application in different countries or regions, and shall be based on practical operation.

Description of product	ARP-2412
POWER SOURCE	115V/60Hz
RATED POWER INPUT	1150W
Current (AMPS)	10A
EER	10.43
AIR VOLUME (CFM)	185
NOISE LEVEL	53db(A)
MOISTURE REMOVEL	2.462L / h
TEMPSETTING	64~88°F
REFRIGERANT	R410
MAXIMUM PRESSURE	2.8MPA
GROSS WEIGHT	79lbs

“Electrical waste products should not be disposed of with household waste.
Please recycle where facilities exist. Check with your local authority or retailer for recycling advice.”





FULL ONE YEAR WARRANTY

Royal Sovereign warrants each Portable Air Conditioner to be free from defects in material and workmanship. Our obligation under this warranty is limited to the repair or replacement, free of charge, when delivered to an authorized Royal Sovereign service center, of any defective part(s) thereof, other than parts damaged in transit. This warranty is in effect to the original purchaser, for a period of one year from the date of purchase and is not transferable. This warranty shall apply only if the air conditioner is used on Alternating Current (AC) circuit, in accordance with the factory provided instructions which accompany it.

To request services, please go to www.royalsovereign.com - Customer Support to submit a request or call 1-800-397-1025

LIMITED FIVE YEAR WARRANTY (COMPRESSOR)

For a period of five years from the date of purchase, when this Royal Sovereign Portable Air Conditioner is operated and maintained according to the instruction manual provided with the product, Royal Sovereign will supply a replacement compressor (parts only), free of charge, if the original compressor is determined to be defective in workmanship or material. If repair becomes necessary, please contact our customer service center. You will be responsible for all freight, insurance, and any other transportation charges to get the unit to our factory or service center. If shipping is required, be sure to pack the unit properly to avoid shipping damages, as we will not be responsible for such damages.

EXCLUSIONS

This warranty excludes and does not cover defects, malfunctions or failures of your Royal Sovereign Portable Air Conditioner, caused by repairs by unauthorized persons or service centers, mishandling, improper installation, modification or unreasonable use including incorrect voltage, acts of God, or failure to provide reasonable and necessary maintenance. This warranty is in lieu of any and all expressed warranties. In no event shall Royal Sovereign be liable for consequential or incidental damages. This limitation would not apply if you live in a location that does not permit the exclusion of limitation of incidental or consequential damages. This warranty gives you specific legal rights and you may also have other rights which vary from state to state.

SERVICES CONTACT and FAQ'S

Please visit www.royalsovereign.com - USA - Customer Support for out of warranty service or to view frequently asked questions.



ROYAL SOVEREIGN INTERNATIONAL, INC.

2 Volvo Drive Rockleigh, NJ 07647 USA
TEL : +1) 800-397-1025 FAX : +1) 201-750-1022

ROYAL SOVEREIGN INC.

1001, World Meridian II, 426-5, Gasan-dong, Geumcheon-gu, Seoul, 153-759, KOREA
TEL : +82)2-2025-8800 FAX : +82)2-2025-8830

RS INTERNATIONAL AUSTRALIA PTY. LTD.

30 Prime Drive, Seven Hills, NSW 2147, AUSTRALIA
TEL : +61) 2-9674-2127 FAX : +61) 2-9674-2027

RS CANADA INC.

1025 Wesport Cresc. Mississauga ON L5T 1E8
TEL : +1) 905-461-1095 Fax : +1) 905-461-1096

RS Holland B.V.

Industrieweg 6K, 4104AR, Culemborg, The Netherlands
Tel: +31 (0)345 473 097 Fax: 31 (0)345 519 811

Royal Sovereign Mexico, S.A. de C.V.

24 de Abril de 1860 No. 8 Col. Leyes de Reforma Mexico D.F. C.P. 09310
Tel.: +52) 55-5600-0757, 55-5600-7848 Fax: +52) 55-5600-0748

Español



MANUAL DEL PROPIETARIO

ARP-2412
ACONDICIONADOR DE AIRE PORTÁTIL

ARP-2412



ACONDICIONADOR DE AIRE PORTÁTIL

Page en Français 33

Lea y guarde estas instrucciones para referencia en el futuro.

**Para Servicio al Cliente por favor dirijase a nuestra página web HYPERLINK
“<http://www.royalsovereign.com>” www.royalsovereign.com y seleccione “Support Tab”**

Royal Centurian Inc.

ACONDICIONADOR DE AIRE PORTATIL

Modelo ARP-2412

INTRODUCCIÓN

Gracias por escoger Royal Sovereign para proveerle a usted y a su familia lo requerido para tener esa “Comodidad de Hogar” en su casa, departamento u oficina. Este acondicionador de aire portátil puede ser instalado en solo minutos y fácilmente transportado de habitación a habitación. Es un sistema de cómoda ventilación multi-funcional que le ofrece modos de Aire Acondicionado, Deshumedecedor y Circulación de Aire. Este manual le proveerá con la información valuable y necesaria para el cuidado apropiado y mantenimiento de su nuevo electrodoméstico. Por favor, tome un momento y lea las instrucciones por completo. Si se mantiene apropiadamente, su electrodoméstico le dará muchos años de operación libre de problemas.

CONTENIDO

	Página
Precauciones de Uso.....	20
Identificación de las Partes	21
Instrucciones para la Instalación	22~23
Funcionamiento.....	24~26
Control Remoto	27
Mantenimiento	28
Especificaciones.....	29
Garantía	30
Contactos	31

PRECAUCIONES DE USO

INSTRUCCIONES IMPORTANTES DE SEGURIDAD

No guarde gasolina, aceite, sulfuro o cualquier otro líquido o vapor inflamable cerca de éste electrodoméstico.

PRECAUCIONES

Para reducir el riesgo de incendios, sacudida eléctrica, o heridas al usar su aire acondicionado, siga estas medidas de precauciones básicas:

- Asegúrese que el sector de distribución eléctrica es adecuada para este modelo. Esta información puede ser encontrada en la etiqueta de clasificación colocado detrás de cada unidad.
- Asegúrese que el aire acondicionado ha sido seguramente y correctamente instalado según las instrucciones dadas en este manual. Guarde este manual en causa que lo necesite en el futuro cuando tenga que remover, guardar o reinstalar la unidad.
- Sea cuidadoso de metales filosos en frente y detrás del espiral.
- Evite que las rejillas en donde el aire entra y sale estén cubiertas.
- Nunca se deben poner dedos ni objetos dentro de la caja de aire. Asegúrese de advertir a los niños sobre estos riesgos.
- Usar la unidad en cuartos de medidas adecuadas y recuerde que áreas en donde se calorara más, necesitan cuatro veces más fuerza de aire acondicionado en comparación a un área convencional.
- Sierre el registro de la chimenea para prevenir que el aire fresco se escape.
- Limpie el filtro de aire como es recomendado en la sección de "Mantenimiento."

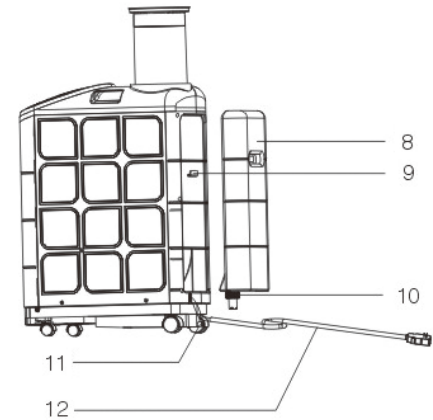
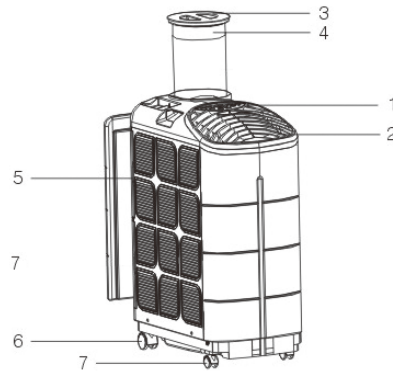
INFORMACIÓN ELÉCTRICA

La clasificación eléctrica de su nuevo aire acondicionado está declarada en la chapa de nombre. Refiera a esta clasificación cuando tenga que chequear los requisitos eléctricos.

- Asegúrese que el aire acondicionado está mantenido firmemente en el piso para minimizar el riesgo de chispas eléctricas e incendios.
- LCDI (Interrumpientes de detecciones de corrientes de escapes de agua) son construidas dentro de los enchufes de nuestros aire acondicionados.
- Si el enchufe está dañado y los conductores de electricidad tocan el blindaje, el LCDI interrumpirá la electricidad en causa de que haya un escape de corriente al blindaje. En este caso, tendrá que ser reemplazado por el fabricante, servicio o agente o un electricista cualificado para prevenir riesgos.
- Nuestro aire acondicionado debe ser enchufado a la caja de enchufe adecuada. Si la caja de electricidad que usará no es la adecuada ni protegida por un disyuntor, por favor contacte un electricista para instalar la caja adecuada.
- No use un alargue ni un adaptante.
- Asegúrese que el máximo amperaje de las unidades enchufadas en la caja o el disyuntor no excedan la cantidad de amperaje de la caja o el disyuntor.

IDENTIFICACION DE LAS PARTES

1. Pantalla
2. Salida de Aire
3. Cubierta para el tubo de escape.
4. Tubo de escape.
5. Filtro de aire.
6. Ruedas traseras
7. Ruedas delanteras.
8. Tanque de agua.
9. Colgadero para el tanque de agua.
10. Lanza.
11. Desaguadero.
12. Cable de electricidad.



INSTALACION

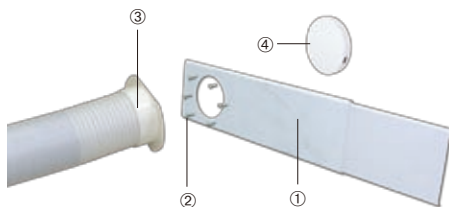
Desempaquete su nuevo aire acondicionado portátil y deje el producto parado por 2 horas antes de comenzar.

Desempaquete todas las partes indicadas debajo. Si hay partes que hagan falta, no devuelva el producto al lugar en donde lo haya comprado.

Por favor, vaya a nuestro sitio de red www.royalsovereign.com y oprima "Support" (Ayuda)

ACCESORIOS INCLUIDOS

- 1. Juego corredizo para la ventana 1 juego
- 2. Tornillos 6 piezas
- 3. Conector para el tubo de escape 1 pieza
(ventana)
- 4. Cubierta 1 pieza



A. Remueva la cubierta y saque el tubo de escape: Figura 1

B. Sujetar el tubo: Figura 2

- 1. Alinear los huecos de tornillos en el tubo en frente del juego para la ventana corredera.
- 2. Usando los 4 tornillos, sujete el tubo al panel del juego corredizo para la ventana.

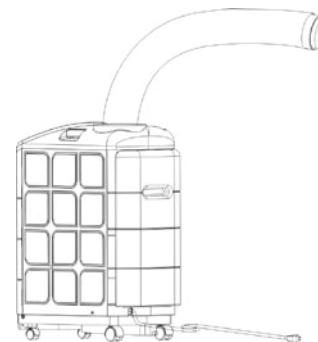


Fig 1.

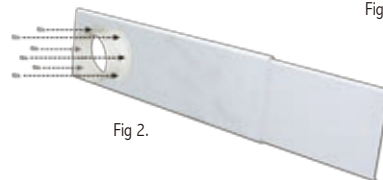


Fig 2.

C. Instalar el Juego corredizo para ventana: Fig. 3.

1. Abra la ventana y ponga el Juego Corredizo para Ventana dentro de la orilla de la ventana.
2. Ajuste el juego corredizo, ajustándolo al ancho de la ventana
3. Cierre la ventana para asegurarlo.
4. Ajuste los dos tornillos para asegurar el juego corredizo en su lugar.

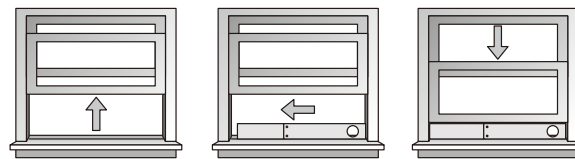


Fig 3.

FUNCION DEL TANQUE DE AGUA

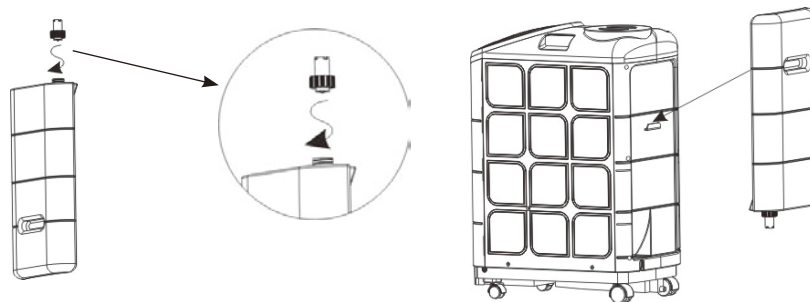
Este aire acondicionado portátil puede ser usada con o sin el tanque de agua.

El tanque de agua es solo una función auxiliar para este producto. El producto puede ser usado con o sin la necesidad de un tanque de agua. La intención del tanque es usar agua fresca para refrescar el condensador para que la maquina tenga la máxima capacidad de función. En condiciones normales, reciclar la humedad recaudada para refrescar el condensador y evaporar el agua por el tubo de escape. En áreas donde el nivel de humedad es bajo, el tanque asistirá al producto refrescándolo eficientemente.

El uso del tanque dará la máxima función de BTU y el aire acondicionado funcionara mas eficientemente.

NOTA: Esta función no agregara humedad en el ambiente.

- Step 1: Levante y tire hacia arriba para remover el tanque/
- Step 2: Remueva la lanza girándolo a la izquierda.
- Step 3: Llène el tanque con agua aproximadamente hasta la mitad y recolocque la lanza.
- Step 4: Coloque el tanque en su sitio alineando el tanque con el resguardo detrás del aire acondicionado.



INTRUCCIONES DE OPERACIÓN

Lea las instrucciones de seguridad antes de usar este producto.

(Para prevenir riesgos eléctricos, no use alargues o adaptadores de enchufes.)

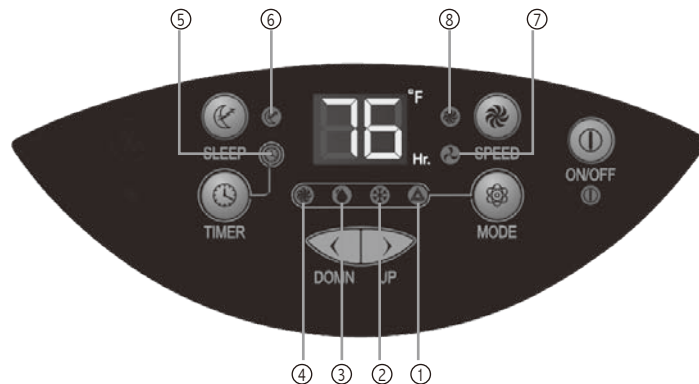
1. Enchufe el aire acondicionado.
2. Instale el canal de escape como esta ilustrado en la pagina 22
3. Enchufe la unidad en una caja de enchufe que sea 115~120v~60 Hz.
4. Oprima el botón que indica "ON/OFF" para encender la unidad.

NOTA: Si el aire acondicionado esta apagado, espere 3 minutos antes de prenderlo nuevamente. Esto permite que la presión dentro del compresor se iguale.

En no seguir estas instrucciones, corre el riesgo que el producto no opere eficientemente.

PANTALLA

1. Automático
2. Aire Acondicionamiento
3. Deshumeecedor.
4. Ventilador
5. Indicador de tiempo
6. Reposo
7. Ventilación baja
8. Ventilación alta



ON /OFF

Este botón tiene el control de prender y/o apagar el producto. Cuando el botón es oprimido, la unidad comenzara a operar.

MODO

Elija la función de la unidad: AUTO, COOL (fresco), DRY (seco) y FAN (ventilador)

El aparato comenzara en la función AUTO cuando es prendido y seguirá en este modo hasta que sea manualmente cambiado.

AUTO (botón de función Automático)

Oprima el botón MODE para seleccionar AUTO. Su aire acondicionador portátil, seleccionara la temperatura ideal del ambiente y funcionara en un nivel optimo al mismo tiempo.

☀ saldrá en la pantalla y la luz indicadora se prendera. La velocidad del ventilador será determinada por la maquina.

COOL

Oprima el botón MODE para seleccionar COOL. La luz ☀ saldrá en la pantalla.

La unidad muestra la "temperatura ambiente." La temperatura puede ser entre 64~88 ° F.

En esta función de COOL, use el botón < or > para acomodar la temperatura deseada. Después de 3 segundos, la pantalla volverá a dar la temperatura ambiente.

NOTA: Los tubos de intercambio de aire tienen que ser descargados por un juego de ventana cuando este en este modo. El compresor comenzara en 3 minutos (en la cual solo la función del ventilador esta activa). Si la temperatura ambiente es mas baja que la que fue seleccionada, el aparato prende automáticamente la función del ventilador hasta que la temperatura este sobre la temperatura que fue seleccionada.

DRY

Oprima el botón MODE para seleccionar DRY (seco). La luz ☀ aldrá en la pantalla. Cuando el modo deshumidificador este prendido, los botones para controlar la temperatura no funcionan. La velocidad del ventilador puede ser acomodada solo si la temperatura del ambiente es mas lada que 77° F. Si es mas baja que esta temperatura, la velocidad del ventilador es automáticamente arreglada a "bajo" y no puede ser acomodada. El compresor estará encendido por 10 minutos y se apagara por 4 minutos en este modo. Esto impide que el resorte se congele y protege el aire acondicionador.

Cuando la humedad de la habitación sea de 50 % o meno, el compresor dejara de funcionar, la unidad dejara de deshumedecer.

NOTA : El tubo de intercambio de aire debe ser conectada para remover humedad.

FAN (ventilador)

Oprima el botón MODE para seleccionar FAN (ventilador). La luz ☀ saldrá en la pantalla. El aire es distribuido en la habitación sin estar refrescada.

NOTA : El tubo de intercambio de aire no es necesitado en este modo.

SPEED (velocidad)

Oprima el botón SPEED para acomodar la velocidad del ventilador (Alto/Bajo)

TIMER (Indicador de tiempo)

Hay 2 diferentes tipos de programas para indicar tiempo. Usted puede determinar la cantidad de horas antes de que el aire acondicionado se apague automáticamente, de modo que usted pueda configurar la cantidad de horas que se transcurran antes de que la unidad se prenda.

Cuando el aire acondicionado este apagado, usted puede programar el aparato para que se prenda automáticamente en intervalos de una hora.

1. Oprima el botón TIMER en la pantalla (la luz que indica el tiempo estará prendida)
2. Continúe oprimiendo el botón TIMER hasta que vea la cantidad de horas que usted desea que pasen hasta que se prenda el aire acondicionado. Ejemplo: Si usted desea que el aire acondicionado se prenda en ocho horas, oprima el botón hasta que vea el numero 8.
3. La unidad se prendera automáticamente cuando estas horas hallan pasado.

Cuando el aire acondicionado este prendido, usted puede programar el aparato para que se apague automáticamente en intervalos de una hora.

1. Oprima el botón TIMER en la pantalla (la luz que indica el tiempo estará prendida)
2. Continúe oprimiendo el botón TIMER hasta que vea la cantidad de horas que usted desea que pasen hasta que se apague el aire acondicionado. Ejemplo: Si usted desea que el aire acondicionado se apague en ocho horas, oprima el botón hasta que vea el numero 8.
3. La unidad se apagara automáticamente cuando estas horas hallan pasado.

SLEEP (Reposo)

El modo SLEEP (reposo) es usado para mantener la habitación en una temperatura cómoda y a la vez ahorra energía. Cuado el botón del modo SLEEP es oprimida, la temperatura subirá 2 °F en la primera hora y subirá otros 2 °F en la segunda hora. La habitación se mantendrá a esta temperatura por el resto de la noche.

TANQUE LLENO

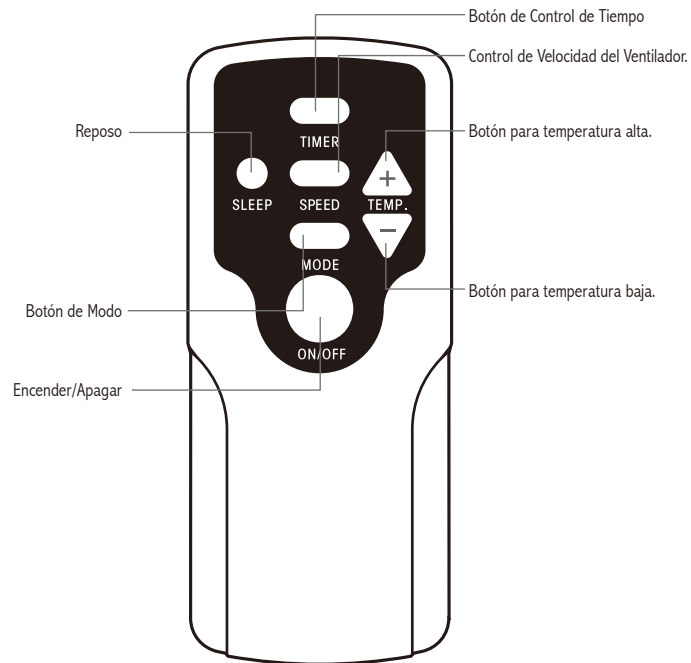
El aparato tiene un sistema de evaporación incorporado. El agua es convertida en aire húmedo y evaporada a través de la manguera de escape. Si el nivel de humedad es alta es posible que tenga que vaciar el tanque de agua manualmente. Si esto sucede, una alarma sonará 15 veces y la unidad dejará de funcionar. El aparato puede ser reiniciado después de drenar el agua condensado a través del puerto de drenaje situado en la parte inferior atrás del PAC.

REINICIO AUTOMÁTICO

En el caso de un fallo de electricidad: Todas las funciones volverán al modo en las que fueron sido establecidas previamente.

CONTROL REMOTO

Usted puede acceder a todas las funciones desde el control remoto.

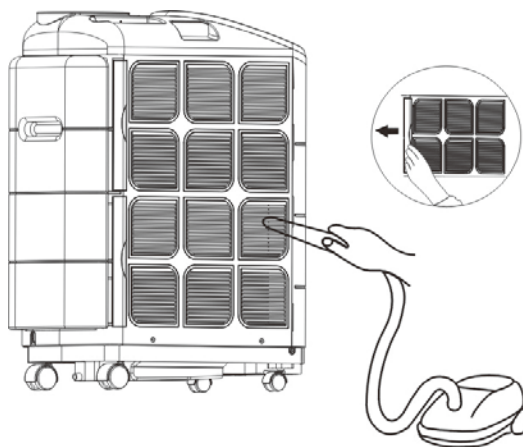


MANTENIMIENTO

Cada dos semanas: Limpie el filtro

- Apague la unidad y desenchufe el cable.
- Agarre la manija del filtro y jale, sacándolo del evaporador.
- Use un cepillo fijado con la aspiradora.

NOTA : Si el filtro esta sucio, se afectará la circulación del aire.
Nunca haga funcionar el acondicionador de aire sin el filtro en su lugar. Podría dañarlo.



Guardado

1. Quite el agua del puerto de drenaje.
2. Cubrirlo con plástico o ponerlo nuevamente en el cartón en el que vino.

ESPECIFICACIONES

Las medidas que aparecen son solo para referencia, pueden haber variaciones debido a las diferencias entre países y regiones, y deben ser basadas en funcionamiento práctico.

Descripción del producto	ARP-2412
Voltaje/Frecuencia	115V/60Hz
Entrada de Electricidad	1150W
Corriente	10A
EER	10.43
Volumen de Aire (CFM)	185
Nivel de Ruido	53db(A)
Eliminación de Humedad	2.46L / h
Ajuste de Temperatura	64~88°F
Enfriador	R410
Presión Máxima	2.8MPA
Peso	79lbs

“Los desperdicios eléctricos no deben botarse juntamente con la basura doméstica. Por favor, recicle cuando sea posible. Contacte a las autoridades locales por consejos referentes al reciclaje.”



GARANTÍA COMPLETA POR UN AÑO

Royal Sovereign garantiza que cada deshumecedor está libre de defectos en cuanto a materiales y fabricación. Nuestra obligación bajo esta garantía está limitada a la reparación o sustitución, sin costo, de cualquier parte(s) defectuosa(s) que no se haya dañado en el transporte, cuando el producto sea entregado a un Centro de Servicio de Royal Sovereign. Esta garantía cubre al comprador original por un año desde la fecha de compra y no es transferible. Esta garantía se aplica sólo si el deshumecedor se usa en un circuito de Corriente Alterna, de acuerdo a las instrucciones de fábrica que acompañan al producto.

GARANTÍA LIMITADA POR CINCO AÑOS (COMPRESOR)

Por un periodo de cinco años desde la fecha de compra, siempre y cuando este Deshumecedor Royal Sovereign sea operado y mantenido de acuerdo al manual de instrucciones provisto con el producto, Royal Sovereign suplirá un compresor de reemplazo (solamente la parte), sin costo, si se determina que el compresor original tiene una falla en cuanto a mano de obra o materiales. Si es necesaria la reparación, por favor contacte a nuestro centro de servicio al cliente. Usted será responsable por el envío, seguro y cualquier otro gasto de transporte para hacer llegar la unidad a nuestra fabrica o centro de servicio. Si es necesario el envío, asegúrese de empacar la unidad correctamente para evitar daños en el transporte, pues nosotros no seremos responsables por aquellos daños.

EXCLUSIONES

Esta garantía excluye y no cubre defectos, malfuncionamiento o fallas de su Deshumecedor Royal Sovereign causadas por reparaciones hechas por personas o centros de servicio desautorizados, manejo inadecuado, instalación inapropiada, modificación o uso irrazonable de voltaje incorrecto, fuerzas de la naturaleza, o dejar de hacer el mantenimiento razonable y necesario. Esta garantía es en lugar de todas y cada una de las garantías expresas. En ninguna eventualidad Royal Sovereign será responsable por daños incidentales o consecuentes. Esta limitación no se aplica si usted vive en un lugar en donde no es permitida la limitación de daños incidentales o consecuentes. Esta garantía le da derechos legales específicos y usted puede tener otros derechos los cuales varían de estado a estado.

CONTACTOS DE SERVICIOS Y PREGUNTAS

Por favor visite nuestra sitio de red www.royalsovereign.com- USA- Servicios al consumidor para productos fuera de garantía y mas.



ROYAL SOVEREIGN INTERNATIONAL, INC.

2 Volvo Drive Rockleigh, NJ 07647 USA
TEL : +1) 800-397-1025 FAX : +1) 201-750-1022

ROYAL SOVEREIGN INC.

1001, World Meridian II, 426-5, Gasan-dong, Geumcheon-gu, Seoul, 153-759, KOREA
TEL : +82)2-2025-8800 FAX : +82)2-2025-8830

RS INTERNATIONAL AUSTRALIA PTY. LTD.

30 Prime Drive, Seven Hills, NSW 2147, AUSTRALIA
TEL : +61) 2-9674-2127 FAX : +61) 2-9674-2027

RS CANADA INC.

1025 Wesport Cresc. Mississauga ON L5T 1E8
TEL : +1) 905-461-1095 Fax : +1) 905-461-1096

RS Holland B.V.

Industrieweg 6K, 4104AR, Culemborg, The Netherlands
Tel: +31 (0)345 473 097 Fax: 31 (0)345 519 811

Royal Sovereign Mexico, S.A. de C.V.

24 de Abril de 1860 No. 8 Col. Leyes de Reforma Mexico D.F. C.P. 09310
Tel.: +52) 55-5600-0757, 55-5600-7848 Fax: +52) 55-5600-0748

Français



GUIDE DE L'UTILISATEUR

MODÈLE ARP-2412
CONDITIONNEUR D'AIR PORTABLE

ARP-2412



CONDITIONNEUR D'AIR PORTABLE

Página en Español 17
Page en Français 33

Veillez lire et conserver ces instructions pour référence future.

Pour toute question liée au service à la clientèle, veuillez choisir l'onglet « Support » (soutien) sur le site www.royalsovereign.com

Royal Centurian Inc.

CONDITIONNEUR D'AIR PORTABLE

Modèles ARP-2412

INTRODUCTION

Merci de faire confiance à Royal Sovereign afin de procurer, à vous et votre famille, tout le « confort au foyer » dont vous avez besoin dans votre maison, votre appartement ou votre bureau. Vous pouvez installer ce conditionneur d'air portable en quelques minutes et également le déplacer d'une pièce à l'autre. Il s'agit d'un appareil multifonctionnel pouvant fonctionner en mode conditionneur d'air, déshumidificateur et ventilateur. Le présent guide fournit des renseignements utiles et nécessaires au bon entretien de votre nouvel appareil. Veuillez prendre un moment pour le lire entièrement. Un appareil bien entretenu vous procurera des années de fonctionnement sans soucis.

TABLE DES MATIÈRES

	Page
Précautions à prendre lors de l'utilisation	36
Remarques sur l'utilisation et identification des pièces	37
Instructions d'installation	38~39
Fonctionnement	40~42
Télécommande	43
Entretien	44
Caractéristiques	45
Garantie	46
Coordonnées	48
Página en Español	17

PRÉCAUTIONS À PRENDRE LORS DE L'UTILISATION

CONSIGNES DE SÉCURITÉ IMPORTANTES

Cet appareil ne doit pas être utilisé dans un endroit servant à l'entreposage de matières combustibles. Ne jamais faire fonctionner cet appareil ou tout autre à proximité d'un endroit servant à l'entreposage d'essence, de liquides inflammables ou d'où émane des vapeurs inflammables.

PRÉCAUTIONS

Afin de réduire le risque d'incendie, de décharge électrique ou de blessures lorsque vous utilisez votre conditionneur d'air, suivez les précautions de base dont celles indiquées ci-dessous :

- vérifiez si la source d'alimentation électrique convient au modèle. Cette information se trouve sur l'étiquette signalétique à l'arrière de l'appareil.
- Vérifiez si le conditionneur d'air a été installé solidement et correctement conformément aux instructions d'installation incluses dans le présent guide. Conservez ce guide pour référence ultérieure, lorsque vous voulez enlever, ranger ou installer de nouveau cet appareil.
- Lorsque vous manipulez le conditionneur d'air, soyez prudent afin d'éviter les coupures dues aux ailettes métalliques coupantes des serpentins avant et arrière.
- Évitez de couvrir ou de fermer l'entrée d'air et les grilles de ventilation.
- N'insérez jamais vos doigts ou des corps étrangers dans la sortie d'air. Mentionnez particulièrement ces dangers aux enfants.
- Utilisez l'appareil dans des pièces de dimension convenable. N'oubliez pas que les endroits où les gains de chaleur sont importants, comme les serres-jardins et les salons ensoleillés, exigent jusqu'à quatre fois plus de pouvoir réfrigérant que les pièces conventionnelles.
- Fermez les bouches murales et de plancher des registres de foyers afin d'éviter que l'air froid s'échappe de la cheminée et dans le système de conduits.
- Nettoyez le filtre à air comme il est recommandé de le faire dans la section « Entretien et nettoyage ».

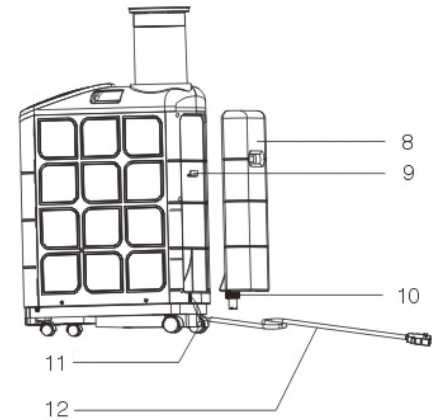
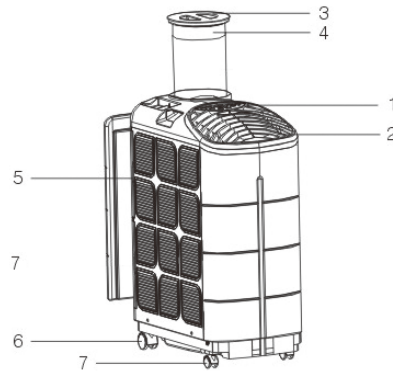
INFORMATION ÉLECTRIQUE

Les caractéristiques électriques entières de votre nouveau conditionneur d'air sont indiquées sur la plaque signalétique. Reportez-vous aux caractéristiques lorsque vous évaluez les exigences électriques.

- Vérifiez si le conditionneur d'air est adéquatement mis à la terre. Afin de réduire le risque de choc et d'incendie, il importe que la mise à la terre soit appropriée.
- Les interrupteurs de détection du courant de fuite (LCDI) sont intégrés au capuchon du cordon d'alimentation de nos conditionneurs d'air.
- Si le cordon d'alimentation est endommagé et que les conducteurs de puissance touchent le blindage, le LCDI interrompt l'alimentation même si seule une petite quantité de puissance fuit vers le blindage. Dans un tel cas, le cordon d'alimentation doit être remplacé par le fabricant, l'agent de service ou un maître électricien qualifié afin d'éviter les risques.
- Votre conditionneur d'air doit être branché dans une prise d'alimentation appropriée. Si la prise d'alimentation que vous prévoyez utiliser ne possède pas de mise à terre ou n'est pas protégée par un fusible à fusion temporisé ou un disjoncteur, vous devriez faire installer la prise par un maître électricien reconnu.
- N'utilisez pas de rallonge ni de fiche de raccord.
- Vérifiez si les ampères maximums de tous les appareils de ce fusible ou disjoncteur n'excèdent pas les ampères du fusible ou du disjoncteur.

IDENTIFICATION DES PIÈCES

1. Panneau de commande
2. Sortie d'air
3. Protecteur de conduit d'évacuation
4. Conduit d'évacuation
5. Filtres à air
6. Roulettes à l'arrière
7. Roulettes à l'avant
8. Réservoir d'eau
9. Porte-réservoir à eau
10. Buse
11. Drain
12. Cordon d'alimentation

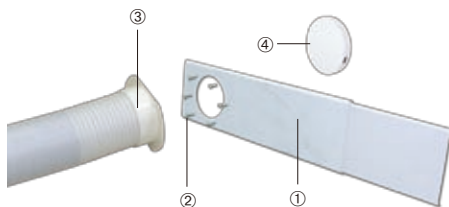


INSTALLATION

Déballer votre nouveau conditionneur d'air portable et laissez-le reposer à la verticale pendant deux heures avant de l'utiliser.
 Déballer toutes les pièces indiquées ci-dessous. S'il manque des pièces, ne retournez pas l'appareil au détaillant.
 Veuillez consulter notre site Web, au www.royalsovereign.com et cliquer sur l'onglet « Support ».

ACCESSOIRES INCLUS :

- 1. Ensemble de glissières pour fenêtre..... 1 ensemble
- 2. Vis..... pièces
- 3. Connecteur du conduit d'évacuation..... 1 pièce (fenêtre)
- 4. Couvercle..... 1 pièce



A. Retirez le couvercle et tirez sur le conduit d'évacuation : Fig. 1

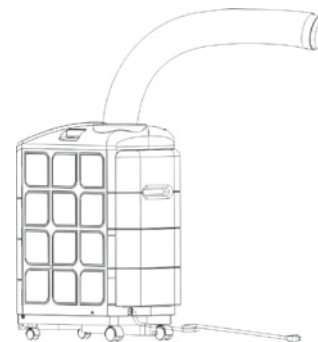


Fig 1.

B. Fixez le support du tuyau : Fig. 2

- 1. Alignez les orifices des vis sur le support du tuyau à l'avant de l'ensemble de glissières pour fenêtre.
- 2. À l'aide des 4 vis comprises, fixez les supports du tuyau au panneau de la fenêtre de l'ensemble de glissières.

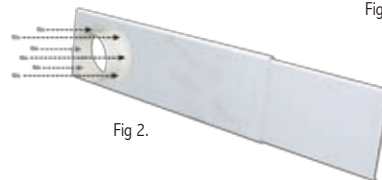


Fig 2.

C. Installez l'ensemble de glissières pour fenêtre : Fig. 3.

1. Ouvrez la fenêtre et placez la glissière pour fenêtre sur le rebord intérieur de la fenêtre.
2. Réglez la glissière pour fenêtre pour qu'elle couvre toute la largeur de la fenêtre.
3. Fermez la fenêtre sur la glissière.
4. Serrez les deux vis pour maintenir la glissière dans sa position.

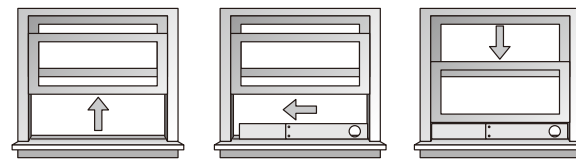


Fig 3.

FONCTIONNEMENT DU RÉSERVOIR À EAU

Ce conditionneur d'eau portable peut fonctionner avec ou sans réservoir à eau.

Le réservoir à eau est une fonction auxiliaire de l'appareil, et ce dernier peut fonctionner avec ou sans le réservoir. L'appareil utilise de l'eau fraîche pour refroidir le condenseur et garantir un rendement maximal. Dans des conditions normales, l'appareil recycle l'humidité qui est recueillie dans la pièce pour refroidir le condenseur et évapore l'eau à travers le conduit d'évacuation. Dans les endroits où les niveaux d'humidité sont faibles, ce réservoir aidera l'appareil à refroidir la pièce efficacement.

L'utilisation du réservoir permet d'obtenir un rendement maximal en BTU et un meilleur fonctionnement du conditionneur.

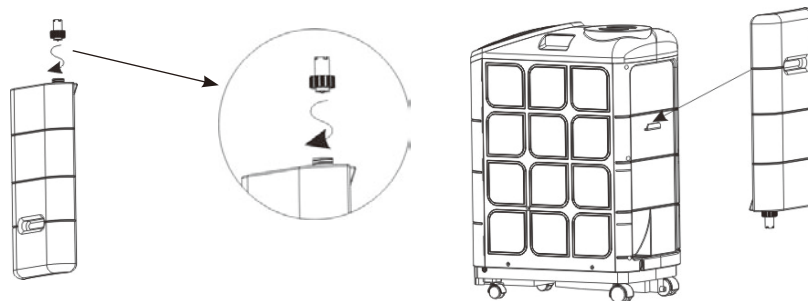
REMARQUE : cette caractéristique n'ajoute pas d'humidité dans la pièce.

Étape 1 : Soulevez le réservoir et tirez-le pour le retirer de l'appareil.

Étape 2 : Retirez la buse en tournant dans le sens antihoraire.

Étape 3 : Remplissez à moitié le réservoir d'eau et remplacez solidement la buse.

Étape 4 : Remplacez le réservoir dans l'appareil en alignant ce dernier avec l'onglet à l'arrière du conditionneur d'air.



INSTRUCTIONS DE FONCTIONNEMENT

Veuillez lire les consignes de sécurité importantes avant d'utiliser cet appareil.

(Pour empêcher les risques électriques, n'utilisez pas de rallonge ni de fiche de raccord.)

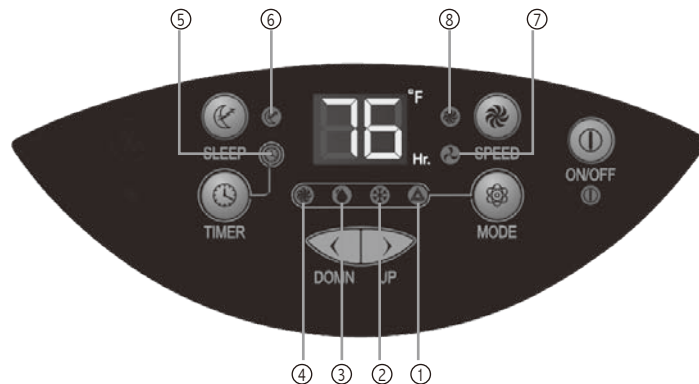
1. Branchez le conditionneur d'air.
2. Installez le conduit d'évacuation comme l'indique la page 7.
3. Branchez l'appareil à une prise électrique mise à la terre de 115 à 120 v, 60Hz.
4. Appuyez sur la touche « ON/OFF (marche/arrêt) » pour mettre l'appareil en marche.

REMARQUE : Si le conditionneur d'air s'arrête, attendez trois minutes avant de le mettre en marche à nouveau. Cela permet à la pression à l'intérieur du compresseur de s'équilibrer.

Le non-respect de ces instructions peut entraîner un fonctionnement inefficace.

PANNEAU DE COMMANDE

1. Automatique
2. Conditionneur d'air
3. Déshumidificateur
4. Ventilateur
5. Minuterie
6. Sommeil
7. Vitesse de ventilateur faible
8. Vitesse de ventilateur élevée



ON /OFF (marche/arrêt)

Le bouton de commande de l'alimentation permet de mettre en marche et d'éteindre l'appareil. L'appareil commence à fonctionner lorsque vous appuyez sur le bouton.

MODE

Sélectionnez les fonctions de l'appareil : mode AUTO, REFROIDISSEMENT, DÉSHUMIDIFICATION, et VENTILATEUR.

L'appareil commence en fonctionnement AUTO lorsqu'il est mis en marche la première fois et demeure dans ce mode jusqu'à ce qu'un autre type de programmation soit choisi.

AUTO (touche de fonctionnement automatique)

Press MODE key to select AUTO, your portable air conditioner will select an ideal temperature for the room while running at an optimal level.  et le voyant indicateur s'allume. L'appareil détermine la vitesse du ventilateur.

REFROIDISSEMENT

Appuyez sur le bouton de sélection du mode pour sélectionner le mode refroidissement. Le voyant s'allume à .

L'appareil affiche le message « present room temperature » (température ambiante actuelle). La plage de réglage de la température est de 17 à 31 °C (64 à 88 °F).

Lorsque l'appareil est en mode refroidissement, appuyez sur le bouton « < » ou « > » pour régler et entrer la température ambiante désirée. Après trois secondes, l'écran affiche de nouveau la température ambiante actuelle.

REMARQUE : Lorsque l'appareil fonctionne dans ce mode, les conduits d'évacuation d'air doivent être munis d'un dispositif d'évacuation d'air qu'on trouve dans la trousse pour fenêtre. Le compresseur démarre après 3 minutes (période pendant laquelle seul le ventilateur fonctionne).

Si la température ambiante est inférieure à celle choisie, l'appareil active le ventilateur jusqu'à ce que la température dépasse la température indiquée.

DÉSHUMIDIFICATION

Appuyez sur le bouton de sélection du mode pour sélectionner le mode Dry (déshumidifier). Le voyant s'allume à .

Lorsque l'appareil est en mode déshumidification, les boutons de réglage de température ne fonctionnent pas. La vitesse du ventilateur peut être réglée uniquement si la température de la pièce est supérieure à 25 °C (77 °F). Si la température est inférieure à ce niveau, la vitesse du ventilateur est automatiquement réglée à « low » (faible) et il est impossible de la régler. Lorsque ce mode est choisi, le compresseur fonctionne pendant 10 minutes, puis s'arrête pendant 4 minutes. Cela empêche de geler les serpentins et protège le conditionneur d'air. Si l'humidité relative dans la pièce atteint 50 % ou moins, le compresseur s'arrête et l'appareil ne déshumidifie plus la pièce.

REMARQUE : le conduit d'évacuation doit être raccordé pour retirer l'humidité de la pièce.

VENTILATEUR

Appuyez sur le bouton de sélection du mode pour sélectionner le mode ventilateur. Le voyant s'allume à . L'air circule alors dans la pièce sans qu'il soit refroidi.

REMARQUE : Le conduit d'évacuation n'est pas requis en mode Ventilateur puisque l'air est circulé dans la pièce.

VITESSE

Appuyez sur la touche « SPEED » (vitesse) pour régler la vitesse du ventilateur (élevée ou faible).

MINUTERIE

L'appareil comporte deux programmes de minuterie. Vous pouvez régler le nombre d'heures avant que l'appareil S'ÉTEIGNE automatiquement ou vous pouvez régler le nombre d'heures avant que l'appareil SE METTE EN MARCHÉ.

Lorsque le conditionneur d'air est éteint, vous pouvez indiquer, en intervalles d'une heure, l'heure à laquelle il doit se mettre en marche.

1. Appuyez sur la touche « Timer » (minuterie) du panneau de commande (le voyant de la minuterie s'illumine).
2. Continuez d'appuyer sur la touche « Timer » (minuterie) jusqu'à ce que le nombre d'heures avant la mise en marche de l'appareil s'affiche. Exemple : Si vous voulez que le conditionneur d'air se mette en marche dans huit heures, appuyez sur la touche jusqu'à ce que le chiffre 8 apparaisse à l'écran.
3. L'appareil se met en marche à l'heure fixée.

Lorsque le conditionneur d'air est en marche, vous pouvez indiquer, en intervalles d'une heure, l'heure à laquelle il doit s'éteindre.

1. Appuyez sur la touche « Timer » (minuterie) du panneau de commande (le voyant de la minuterie s'illumine).
2. Continuez d'appuyer sur la touche « Timer » (minuterie) jusqu'à ce que le nombre d'heures avant l'arrêt de l'appareil s'affiche. Exemple : Si vous voulez que le conditionneur d'air s'arrête dans huit heures, appuyez sur la touche jusqu'à ce que le chiffre 8 apparaisse à l'écran.
3. Lorsque le temps sera écoulé, l'appareil s'éteindra.

SOMMEIL

Le mode sommeil permet de garder une pièce à une température confortable tout en économisant de l'énergie. Lorsque vous appuyez sur le bouton d'activation du mode Sleep (sommeil), l'appareil augmente la température de 1,1 °C (2 °F) durant la première heure, puis de 1,1 °C (2 °F) durant la deuxième heure. L'appareil maintient ensuite cette température pour le reste de la nuit.

RÉSERVOIR PLEIN

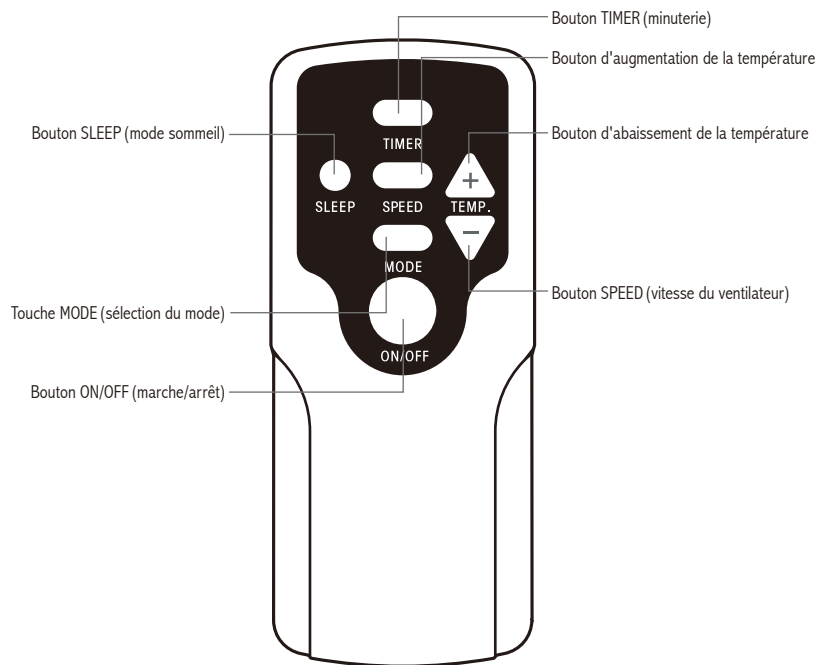
L'appareil intègre un système d'évaporation. L'eau se change en air humide et est évaporée par le conduit d'évacuation. Si le niveau d'humidité est élevé, vous devrez peut-être vider le réservoir à eau interne. Dans ce cas, une alarme sonne quinze fois, puis l'appareil s'arrête. L'appareil peut être mis en marche à nouveau après avoir vidangé l'eau condensée par l'orifice de vidange situé au bas, à l'arrière de l'appareil (PAC).

REMISE EN MARCHÉ AUTOMATIQUE

Advenant une panne de courant : lorsque le courant est restauré, l'appareil redémarrera en conservant les réglages utilisés avant la panne.

FONCTION DE LA TÉLÉCOMMANDE

La télécommande vous donne accès à toutes les fonctions de la chaufferette.



ENTRETIEN ET NETTOYAGE

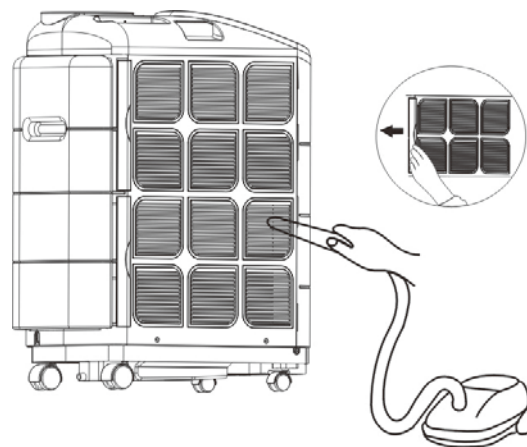
Chaque deux semaines : nettoyez le filtre.

- Arrêtez l'appareil, puis débranchez la fiche de la prise.
- Saisissez la poignée modelée du filtre et tirez pour enlever le filtre de l'évaporateur.
- Utilisez une brosse et un aspirateur.

REMARQUE : Un filtre à air sale entraînera une mauvaise circulation d'air.
N'UTILISEZ PAS l'appareil sans filtre. L'appareil pourrait être endommagé.

Rangement :

1. retirez l'eau de l'orifice de drainage.
2. Couvrez l'appareil d'un plastique, puis rangez-le dans la boîte originale.



CARACTÉRISTIQUES

- Les chiffres mentionnés dans le texte sont fournis à titre de référence uniquement; ceux-ci peuvent varier selon la conformité aux lois de chaque pays ou région. Ils sont fondés sur une utilisation standard.

Description du produit	ARP-2412
SOURCE D'ALIMENTATION	115V/60Hz
PUISSANCE D'ENTRÉE NOMINALE	1150W
TAUX DE RENDEMENT ÉNERGÉTIQUE	10A
EER	10.43
VOLUME D'AIR (CFM)	185
NIVEAU SONORE	53db(A)
SUPPRESSION DE L'HUMIDITÉ	2.46L / h
RÉGLAGE DE LA TEMPÉRATURE	18-31 °C (64~88°F)
FLUIDE FRIGORIGÈNE	R410
PRESSION MAXIMALE	2.8MPA
POIDS BRUT	35,8 Kg (79lbs)

"Electrical waste products should not be disposed of with household waste.
Please recycle where facilities exist. Check with your local authority or retailer for recycling advice."



GARANTIE INTÉGRALE D'UN AN

Royal Sovereign garantit que ses conditionneurs d'air portables sont exempts de tout défaut de matériau ou de main-d'œuvre. En vertu de la présente garantie, nous avons l'obligation de réparer ou de remplacer gratuitement toute pièce défectueuse d'un appareil livré à un centre de service agréé de Royal Sovereign, sauf les pièces endommagées durant le transport. Cette garantie est offerte à l'acheteur d'origine pour une période d'un an à compter la date d'achat. La garantie n'est pas transférable. La présente garantie est en vigueur uniquement si l'appareil a été alimenté par un circuit électrique c.a., conformément aux instructions du fabricant, fournies avec l'appareil.

Pour demander une réparation, veuillez consulter le site www.royalsovereign.com, onglet « Customer Support » (soutien à la clientèle) ou composer le 1 800 397-1025

GARANTIE LIMITÉE DE CINQ ANS (COMPRESSEUR)

Pendant une période de cinq et à compter de la date d'achat, Royal Sovereign s'engage à fournir gratuitement un compresseur de remplacement (la pièce uniquement) si la pièce d'origine présente un défaut de matériau ou de main-d'œuvre et si le conditionneur d'air a été utilisé et entretenu de la façon indiquée dans le manuel d'instructions fourni avec l'appareil. S'il s'avère nécessaire de réparer l'appareil, veuillez communiquer avec le centre de service à la clientèle. L'acheteur est responsable des frais d'expédition, d'assurance et des autres frais de transport pour acheminer l'appareil à notre usine ou centre de service. S'il est nécessaire d'expédier l'appareil, il faut l'emballer adéquatement de façon à éviter tout dommage causé par le transport. Nous ne serons pas tenus responsables de tels dommages.

EXCLUSIONS

La présente garantie exclut et ne couvre pas les défaillances et les pannes de votre conditionneur d'air Royal Sovereign qui ont été causées par des réparations effectuées par une personne ou un centre de service non autorisé, une mauvaise manipulation de l'appareil, une mauvaise installation, des modifications ou une utilisation abusive, y compris l'utilisation d'une tension d'alimentation inadéquate, des catastrophes naturelles ou le défaut de bien entretenir l'appareil. Cette garantie remplace toute autre garantie expresse. Royal Sovereign n'accepte aucune responsabilité pour les dommages consécutifs ou indirects. Cette restriction ne s'applique pas si vous résidez dans un endroit qui ne permet pas l'exclusion d'une restriction de dommages consécutifs ou indirects. La présente garantie vous accorde des droits légaux précis et il est possible que vous puissiez bénéficier d'autres droits qui varient selon les juridictions.

COORDONNÉES et FAQ

Veuillez consulter le site www.royalsovereign.com – USA (É.-U.) – Customer Support (soutien à la clientèle) pour faire réparer un appareil qui n'est plus couvert par la garantie ou pour consulter les questions fréquemment posées.



ROYAL SOVEREIGN INTERNATIONAL, INC.

2 Volvo Drive Rockleigh, NJ 07647 USA
TEL : +1) 800-397-1025 FAX : +1) 201-750-1022

ROYAL SOVEREIGN INC.

1001, World Meridian II, 426-5, Gasan-dong, Geumcheon-gu, Seoul, 153-759, KOREA
TEL : +82)2-2025-8800 FAX : +82)2-2025-8830

RS INTERNATIONAL AUSTRALIA PTY. LTD.

30 Prime Drive, Seven Hills, NSW 2147, AUSTRALIA
TEL : +61) 2-9674-2127 FAX : +61) 2-9674-2027

RS CANADA INC.

1025 Wesport Cresc. Mississauga ON L5T 1E8
TEL : +1) 905-461-1095 Fax : +1) 905-461-1096

RS Holland B.V.

Industrieweg 6K, 4104AR, Culemborg, The Netherlands
Tel: +31 (0)345 473 097 Fax: 31 (0)345 519 811

Royal Sovereign Mexico, S.A. de C.V.

24 de Abril de 1860 No. 8 Col. Leyes de Reforma Mexico D.F. C.P. 09310
Tel.: +52) 55-5600-0757, 55-5600-7848 Fax: +52) 55-5600-0748